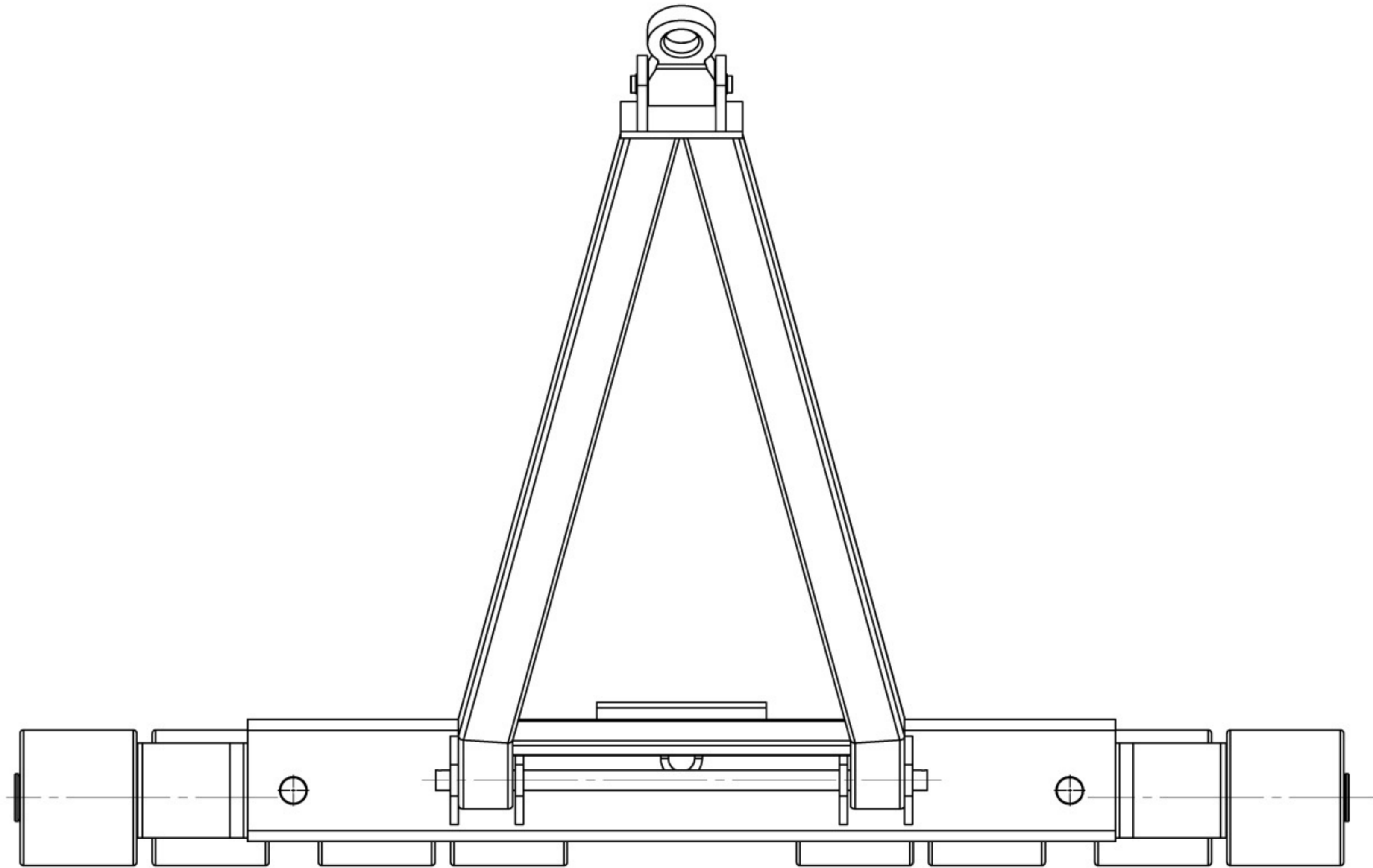
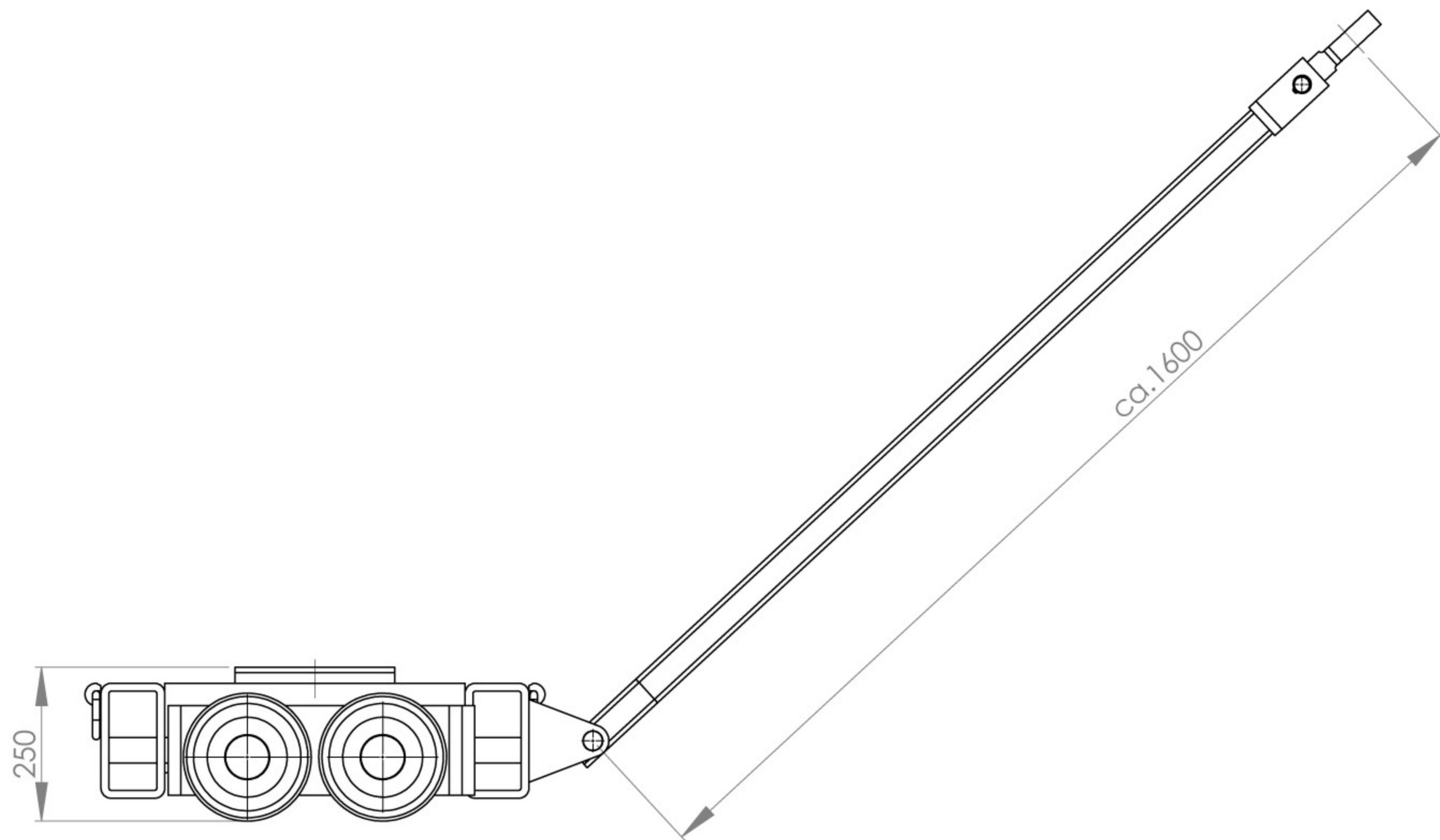


JL 80 H | Bestell-Nr. 09 800 200-H | *Draufsicht*
JL 80 H | Order No. 09 800 200-H | *Top view*



JL 80 H | Bestell-Nr. 09 800 200-H | *Frontansicht*
JL 80 H | Order No. 09 800 200-H | *Front view*





JL 80 H | Bestell-Nr. 09 800 200-H | *Seitenansicht*
JL 80 H | Order No. 09 800 200-H | *Side view*

